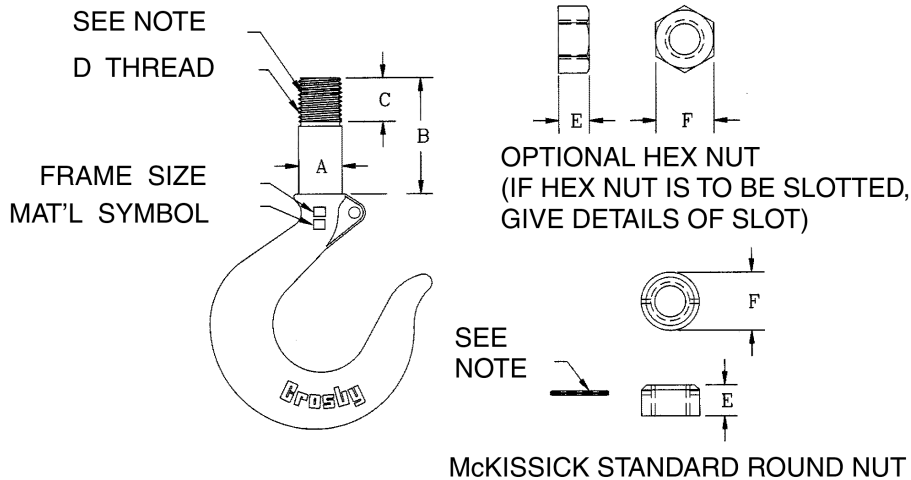


Crosby® Custom Design Hooks

CROSBY CUSTOM MACHINED SHANK HOOK & NUT QUOTATION REQUEST FORM

Customer Name:		Date:
Address:	City, State, Zip	
Phone:	Fax:	
Customer Contact Name:		
Quotation Due Date:	Product Delivery Date:	
Crosby / McKissick Proposal Number:	Quantity:	



NOTE:
FOR INSTALLATION OF SPRING PIN, STANDARD PRACTICE
IS TO FIELD DRILL NUT AND SHANK AFTER ASSEMBLY
AND ADJUSTED TAKE-UP IS MADE.

Dimensions:

Frame Size and material Symbol:

Working Load Limit (tons)

A. Round or Hex Nut

B. E.*

C.* F.

D.

Hook Latch Kit

_____ SS-4055 Flipper latch

_____ PL Flapper latch

_____ 4320 Latch

* The minimum thread length engaged in the nut should not be less than one (1) thread diameter.

For additional information concerning customer design products, contact:

In U.S.A. - Crosby's Special Engineered Products Group at 1-800-777-1555

In Canada - Crosby Canada at (905) 451-9261

In Europe - N.V. Crosby Europe at 32-15-757125 (26)

Special
Products